



# FLANGE MOUNTED DIAPHRAGM SEALS

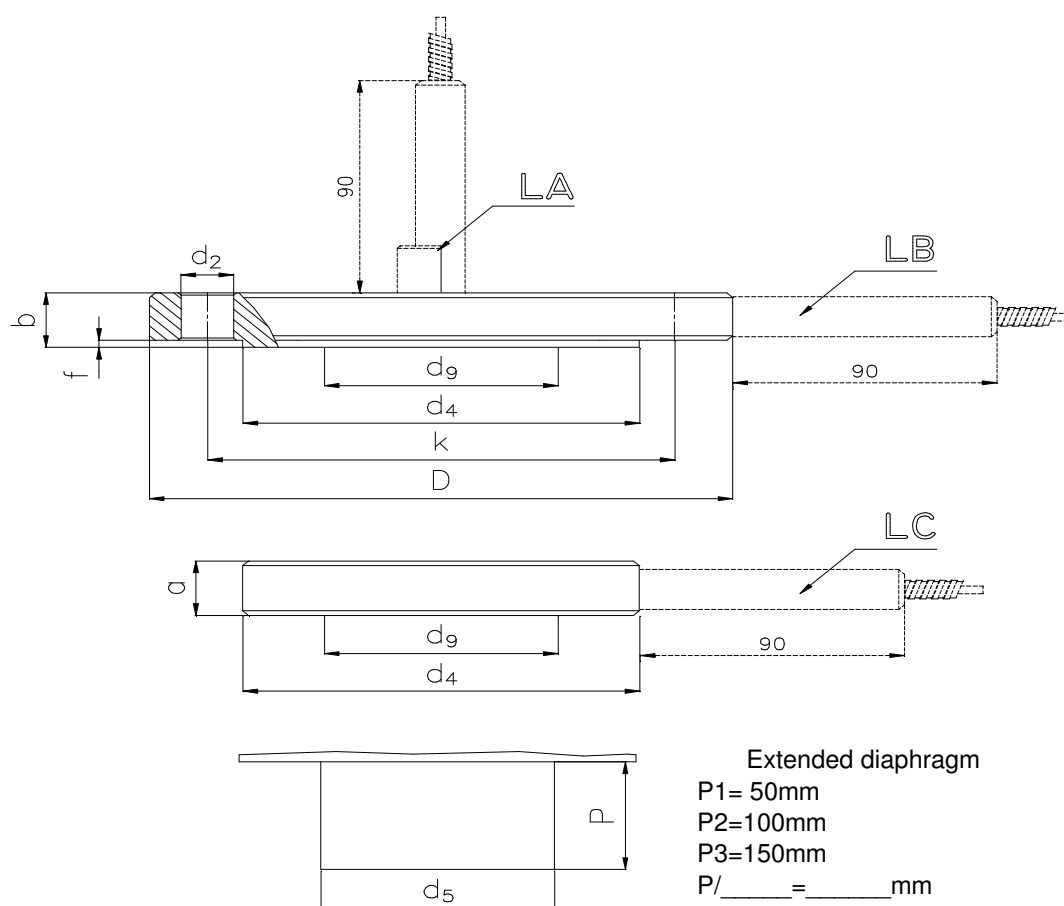
## EN 1092-1

Models LA, LB and LC



Models of diaphragm seals are LA, LB and LC , which are available according to EN 1092-1 , ASME and JIS standards. Models LA and LB are connected directly to a process with bolts, when the model LC needs a separate tightening flange. The standard material of the body and wetted parts is Stainless Steel AISI 316L. Other diaphragm materials are Hastelloy C, Tantalum, Titanium, Nickel , Duplex (2205 SAF) and AISI 316L coated with Teflon.

Standard dimensions of flanges are DN 25, DN 50, DN 80.



DN	PN	D	a - b	d4	f	d5	k	d2	Bolts	d9
25	40	115	18 - 18	68	2	25	85	14	4	40
50	40	165	20 - 20	102	3	48	125	18	4	50
80	40	200	20 - 24	138	3	76	160	18	8	80

Lyth-Instrument Oy  
Peltosaarenkatu 8  
FI-11130 Riihimäki  
Finland , Europe

phone: + 358-19-760330  
fax : + 358-19-722085  
[www.lyth.fi](http://www.lyth.fi)



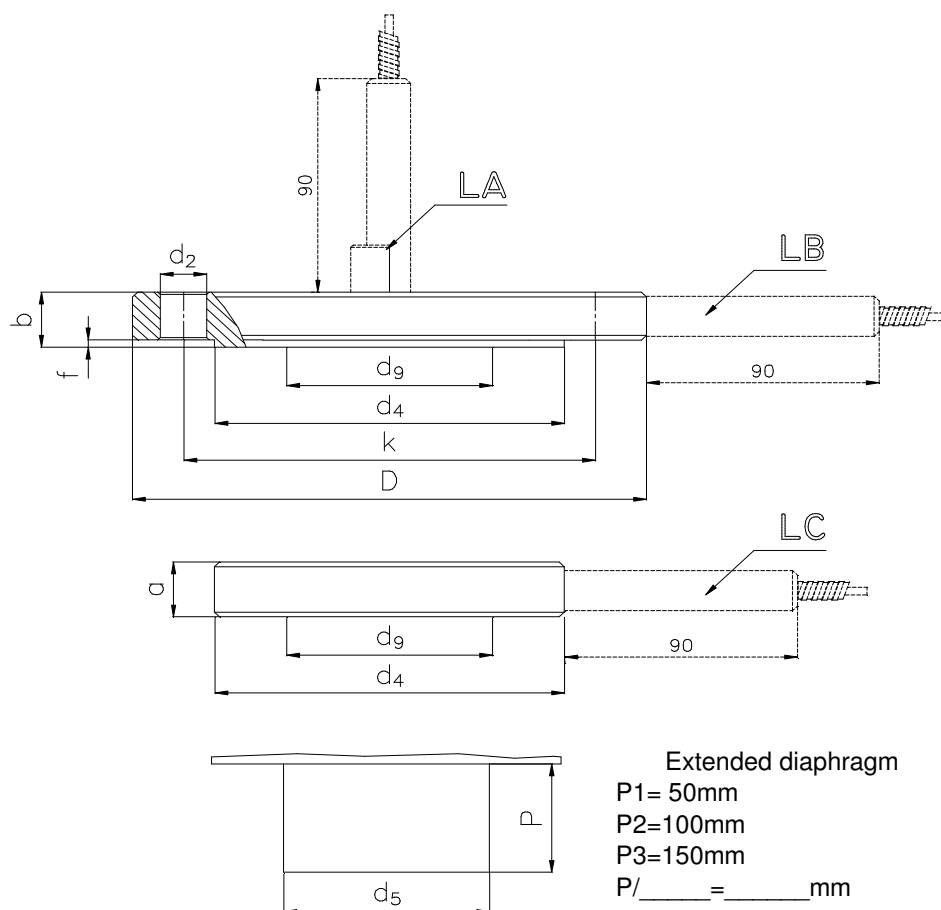
# FLANGE-MOUNTED DIAPHRAGM SEALS ASME B 16,5

Models LA, LB and LC



Models of diaphragm seals are LA, LB and LC , which are available according to EN 1092-1 , ASME and JIS standards. Models LA and LB are connected directly to a process with bolts, when the model LC needs a separate tightening flange. The standard material of the body and wetted parts is Stainless Steel AISI 316L. Other diaphragm materials are Hastelloy C, Tantalum, Titanium, Nickel , Duplex (2205 SAF) and AISI 316L coated with Teflon.

Standard dimensions of flanges are ASME B 16.5 RF 1" , 1½" , 2" , 3"



DN	PN	D	a - b	d4	f	d5	k	d2	Bolts	d9
1"	150	108	14,3	50,8	1,6	25	79,5	16	4	28
1"	300	124	17,5	50,8	1,6	25	89	19	4	28
1½"	150	127	17,5	73	1,6	38	98,5	16	4	40
1½"	300	156	20,5	73	1,6	38	114,5	22	4	40
2"	150	152,5	19	92	1,6	48	120,5	19	4	50
2"	300	165	22	92	1,6	48	127	19	8	50
3"	150	190,5	23,8	127	1,6	76	152,5	19	4	80
3"	300	209,5	28,5	127	1,6	76	168,5	22	8	80
3"	600	209,5	38,2	127	6,4	76	168,5	22	8	80

Lyth-Instrument Oy  
Peltosaarenkatu 8  
FI-11130 Riihimäki  
Finland , Europe

phone: + 358-19-760330  
fax : + 358-19-722085  
[www.lyth.fi](http://www.lyth.fi)



# EN 1092-1 ASME B 16,5

<b>LA.</b>	Flange, measuring connection on top
<b>LB.</b>	Flange, measuring connection on side
<b>LC.</b>	Flange, pancake, needs separate connecting flange

	Nominal diameter	Nominal pressure
<b>2540</b>	DN25	PN40 SFS-EN 1092-1 (DIN 2526)
<b>3240</b>	DN32	PN40 SFS-EN 1092-1 (DIN 2526)
<b>4040</b>	DN40	PN40 SFS-EN 1092-1 (DIN 2526)
<b>5040</b>	DN50	PN40 SFS-EN 1092-1 (DIN 2526)
<b>8040</b>	DN80	PN40 SFS-EN 1092-1 (DIN 2526)
<b>10040</b>	DN100	PN40 SFS-EN 1092-1 (DIN 2526)
<b>1150</b>	ASME 16.5	RF 1" 150lbs
<b>2150</b>	ASME 16.5	RF 2" 150lbs
<b>3150</b>	ASME 16.5	RF 3" 150lbs
<b>3300</b>	ASME 16.5	RF 3" 300lbs

Measuring connection	
<b>R</b>	BSP 2=1/2" 3=3/8" 4=1/4" female, 7=1/2" 8=3/8" 9=1/4" male
<b>N</b>	NPT 2=1/2" 4=1/4" female, 7=1/2" 9=1/4" male
<b>H</b>	Connected to measuring instrument with capillary
<b>XM</b>	Connected to transmitter with side connection
<b>XP</b>	Connected to transmitter with upside connection

Capillary	
-	Without capillary or cooling element.
<b>S2H/_</b>	Cap. 3,00X1,00 <b>Capillary length meters</b>
<b>S1H/_</b>	Cap. 3,18X1,76 <b>Capillary length meters</b>
<b>JK50</b>	Cooling element 50 mm
<b>JK</b>	Cooling element 120 mm

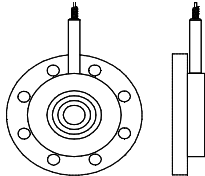
Options	
<b>P1</b>	Extended diaphragm P1 = 50mm
<b>P2</b>	Extended diaphragm P2 = 100mm
<b>P3</b>	Extended diaphragm P3 = 150mm

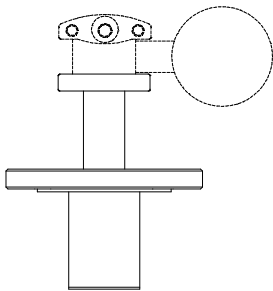
	Body	Diaphragm	Wetted parts
<b>000</b>	AISI 316	AISI 316L	AISI 316
<b>011</b>	AISI 316	Hast. C	Hast C
<b>022</b>	AISI 316	Titanium	Titanium
<b>033</b>	AISI 316	Tantalium	Tantalium
<b>066</b>	AISI 316	Duplex	Duplex
<b>005</b>	AISI 316	AISI 316L	PTFE

Filling fluids	
See separate data sheet for filling liquids	



LC-flange with capillary (optional with connecting flange)

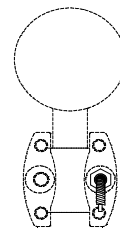


LA-flange with extended diaphragm connected to transmitter

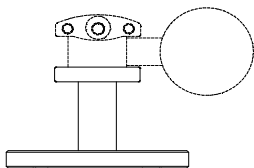
LA 8040 H SIH/3 033

- Flange mounted type
- Process connection DN80 PN40 flange
- Capillary, welded
- Cap. diameter 3,18x1,76, length 3 meters

- Flange body AISI 316, wetted parts TANTAL
- See separate data sheet



LA-flange with capillary connected to pressure / level transmitter



LA-flange connected to transmitter